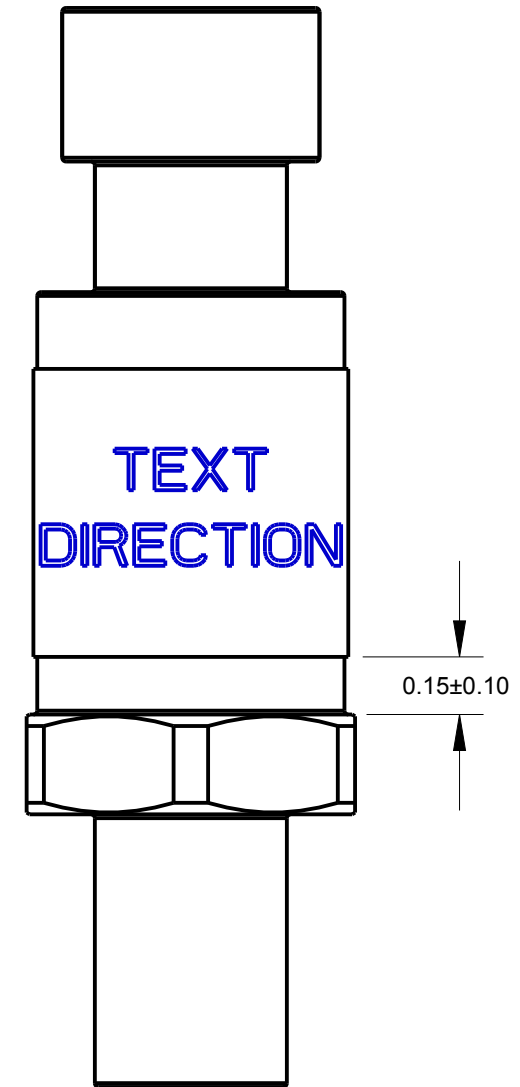
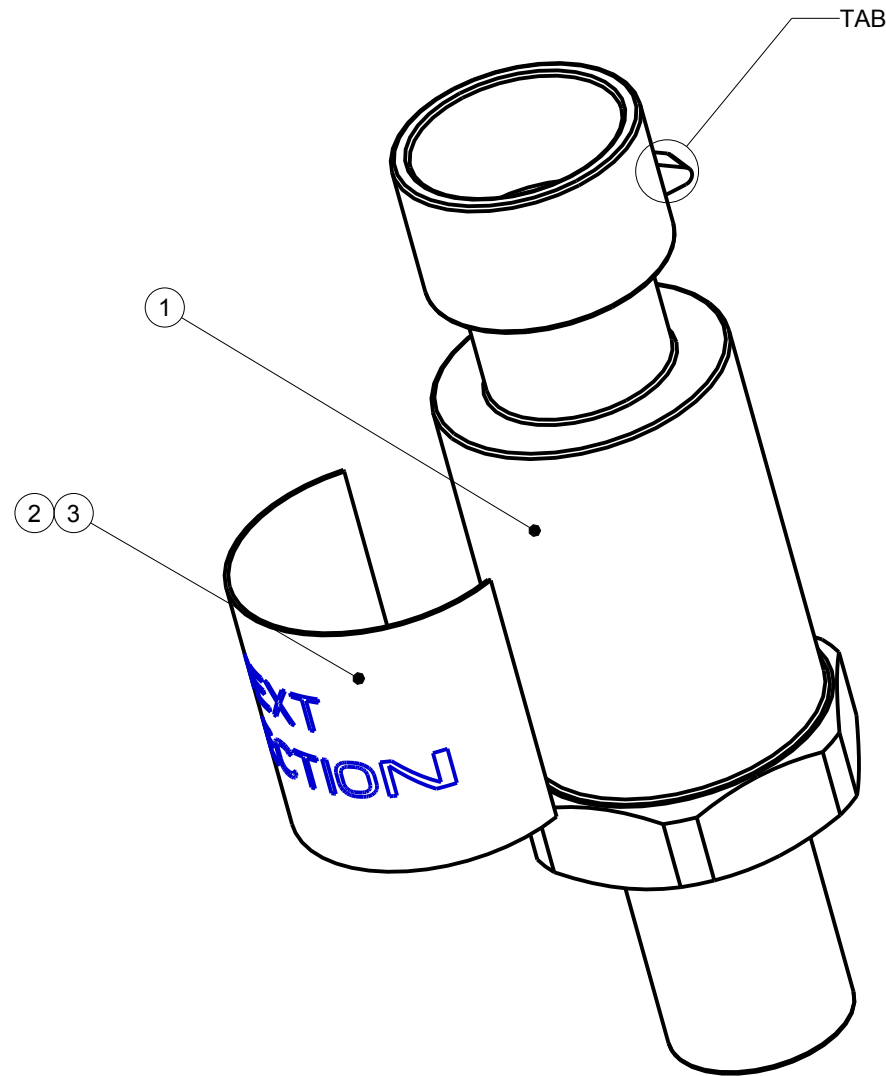
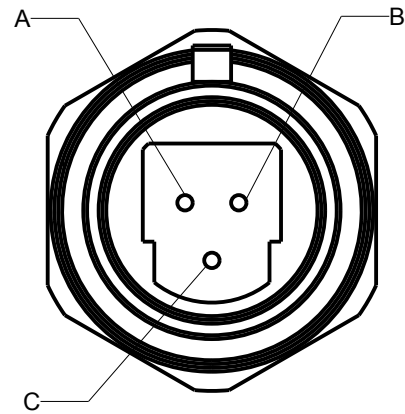


PIN	SIGNAL
A	GROUND
B	POWER
C	SIGNAL



NOTES:  
 A. PLACE LABEL SYMMETRICALLY ON OPPOSITE SIDE OF TAB  
 SO THAT NO TEXT ON SENSOR IS COVERED

ITEM	QTY.	PART NUMBER	DESCRIPTION	NOTE
3	1	4000117	LABEL STOCK - WHITE - 0.75IN. X 1.5IN.	A
2	1	4003633	LABEL GRAPHIC - 0.75 IN X 1.5 IN - PRESSURE SENSOR	A
1	1	4002963	PRESSURE SENSOR - 3 PIN METRIPACK, G1/4B, 250PSI	

REV	LTR	CHANGES	BY	DATE	CHK
A		NEW DRAWING	KBT	12/12/12	TRC

THE INFORMATION HEREON IS PROPRIETARY  
 PROPERTY OF AG LEADER TECHNOLOGY, INC.  
 THIS DOCUMENT IS A CONFIDENTIAL DISCLOSURE. ANY USE,  
 EXCEPT THAT FOR WHICH IT IS LOANED, IS PROHIBITED.

APPROX MASS UNITS:  
**INCHES**

INCH TOLERANCES UNLESS OTHERWISE SPECIFIED

COMPLIANCE:  
**RoHS**

THIRD ANGLE PROJECTION

SCALE: **2.000**    FORMAT SIZE: **B**    SHEET: **1 OF 1**

**Ag Leader**  
 Technology

2202 SOUTH RIVERSIDE DR. AMES, IA 50010  
 MATERIAL:

NONE  
 FINISH:  
 NONE

PART NOUN - DESCRIPTION:  
**PRESSURE SNSR ASSY**  
 3 PIN METRIPACK, 1/4NPT, 250PSI  
 PART NO: **4003634**    REV: **A**