



ABOVE PAR
TECH

**ALL MODEL
PARTS MANUAL**

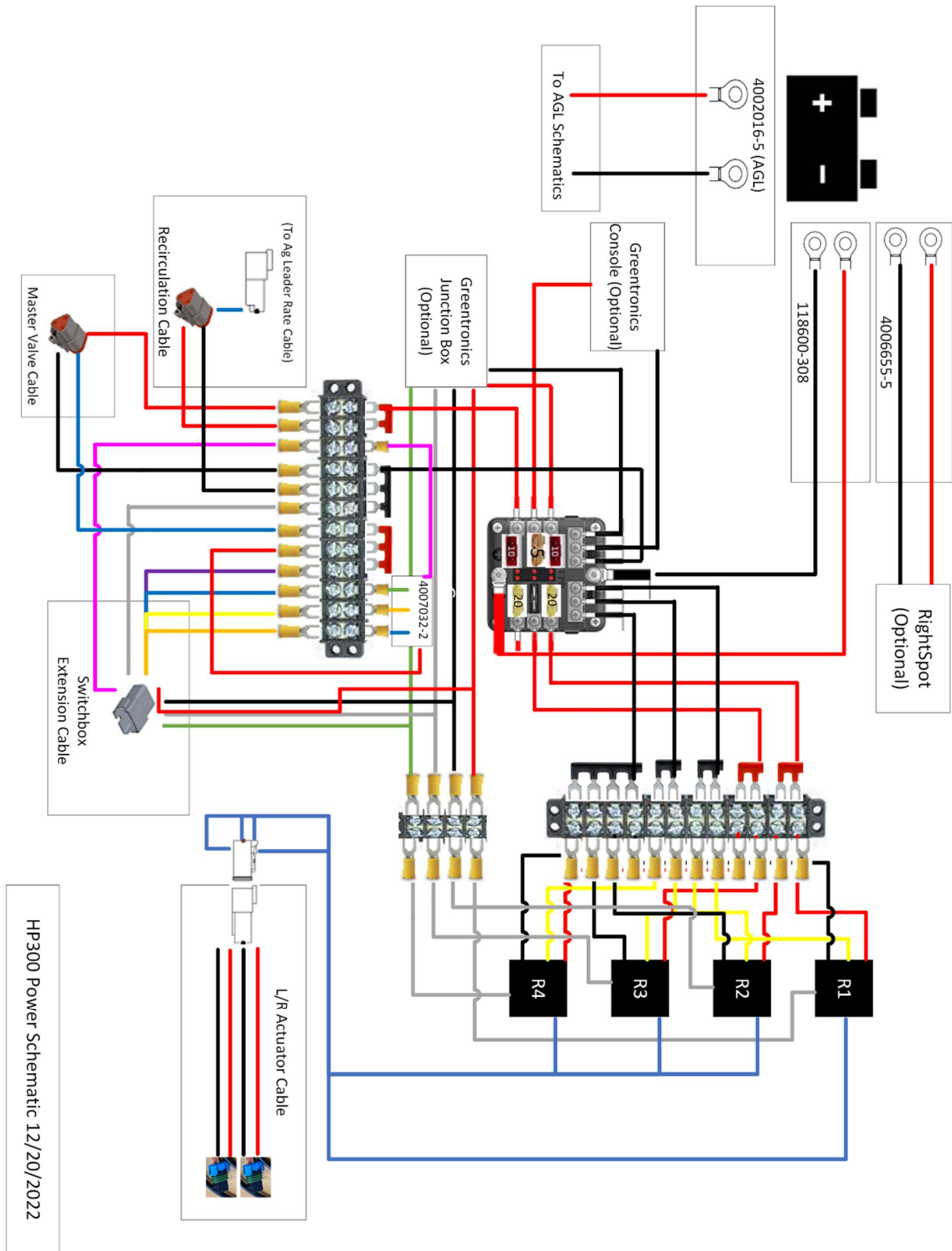
Rev. A-February 2024

Contents

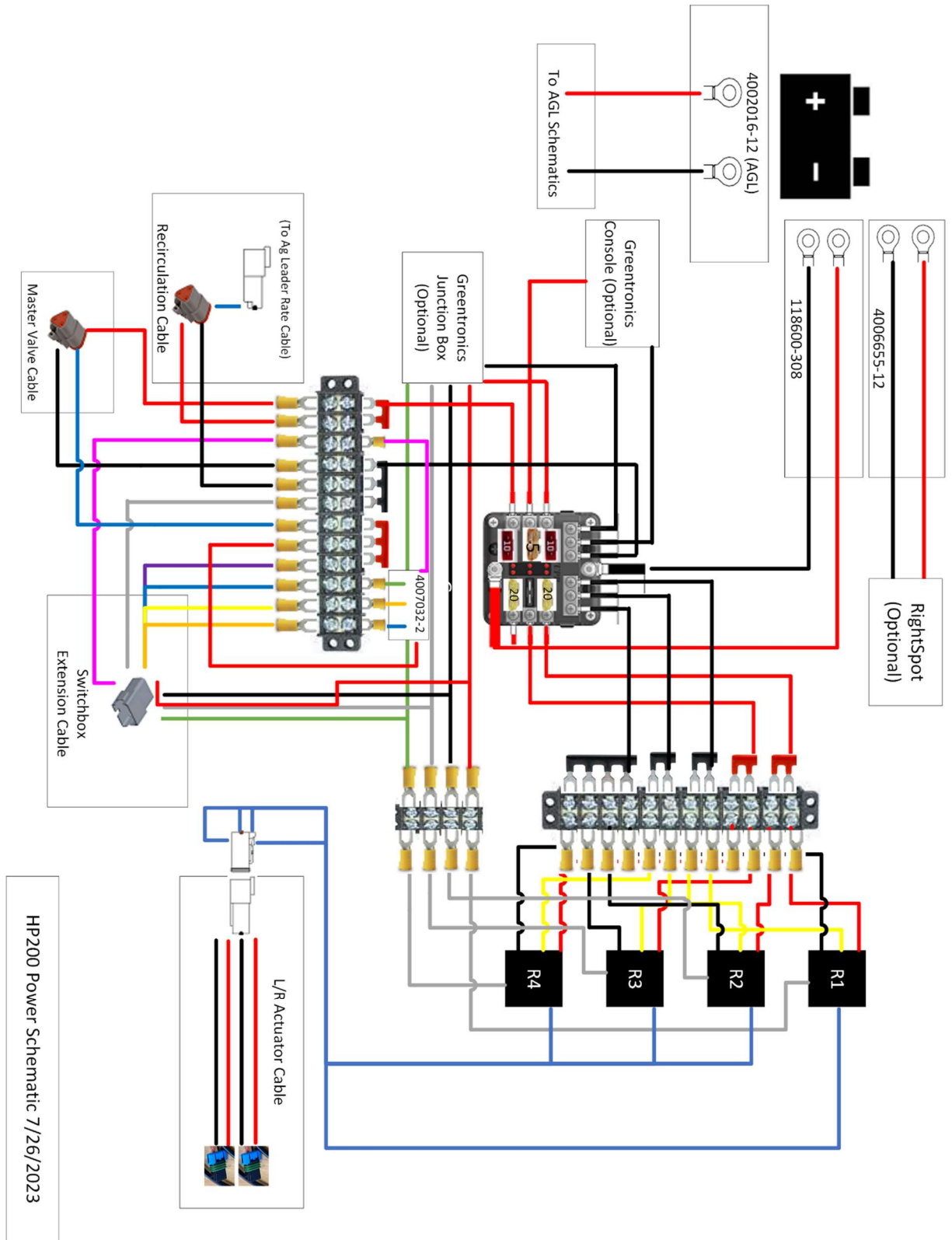
Power Schematics.....	2
HP300.....	2
HP200.....	3
HP500.....	4
John Deere Aftermarket	5
Toro 5800 Aftermarket.....	6
Smithco Aftermarket.....	7
System Schematics	8
Switchbox Schematic	8
Switchbox Extension Cable.....	8
HP300- L2.....	10
HP300 - RightSpot.....	11
HP200- L2.....	12
HP200 - RightSpot.....	13
HP500.....	14
Toro 5800 Aftermarket.....	15
John Deere Aftermarket	16
Smithco Aftermarket.....	17
HP300 Parts List	18
HP Series Options Parts Breakdown.....	21
Boom Parts List.....	26

Power Schematics

HP300

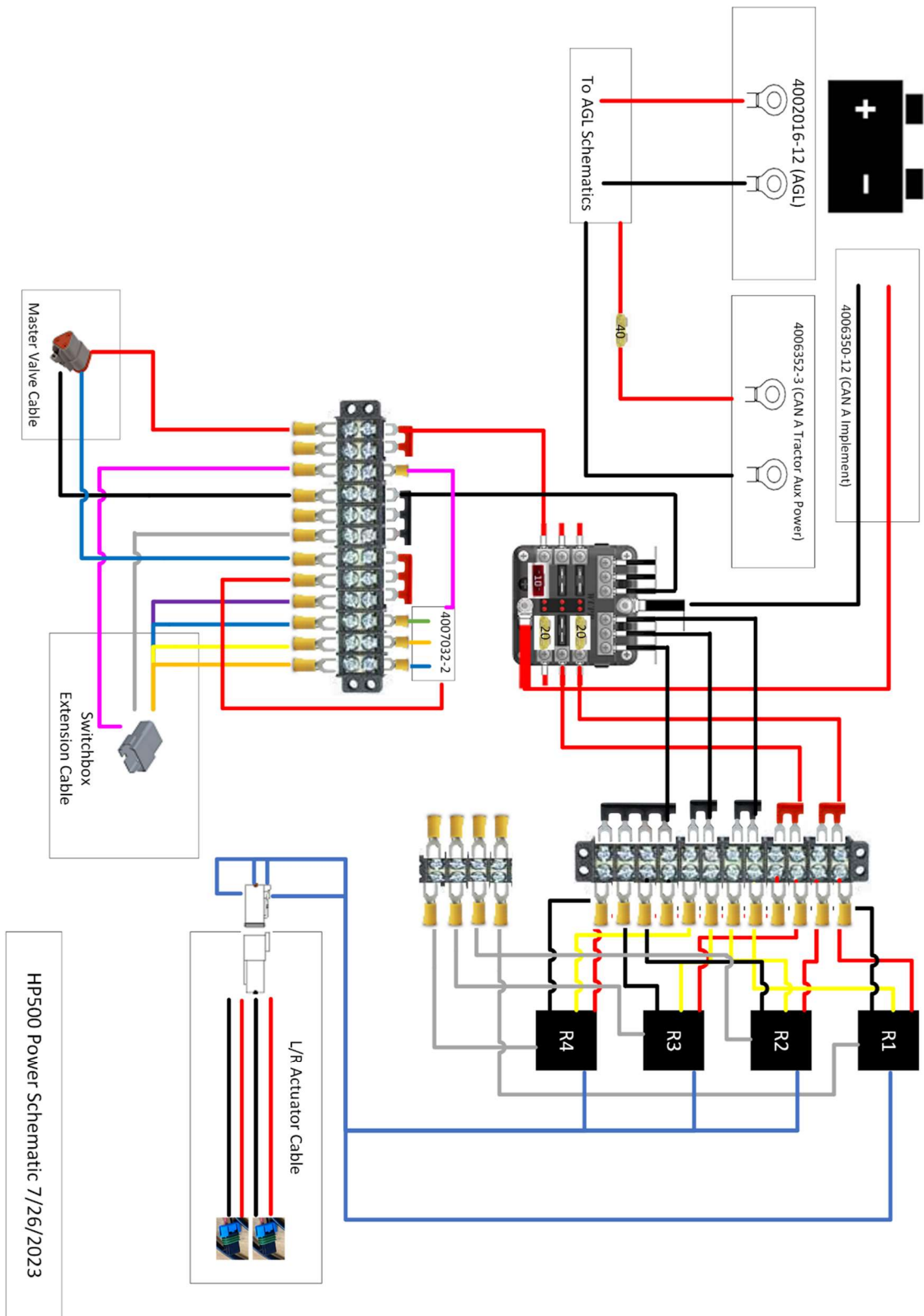


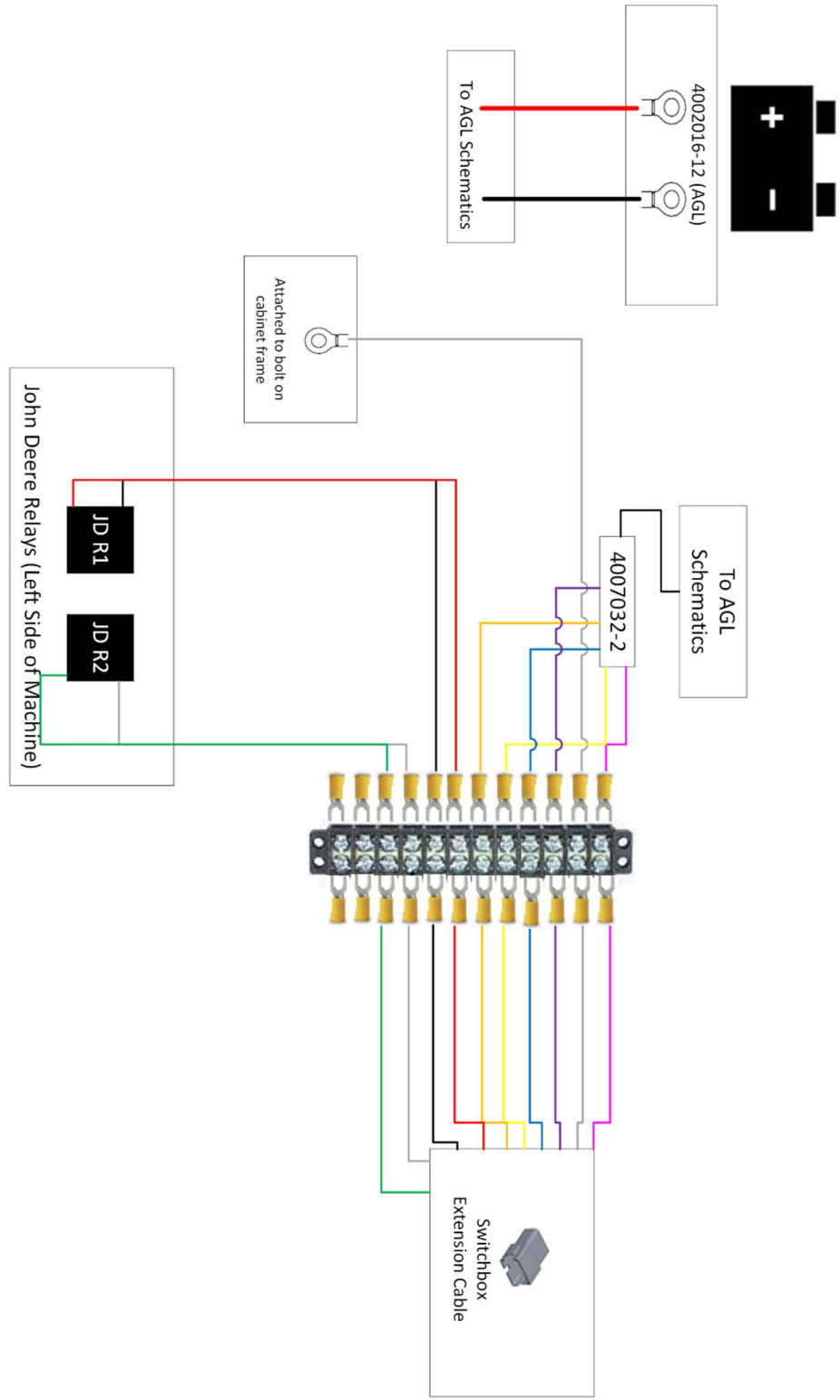
HP300 Power Schematic 12/20/2022



HP200 Power Schematic 7/26/2023

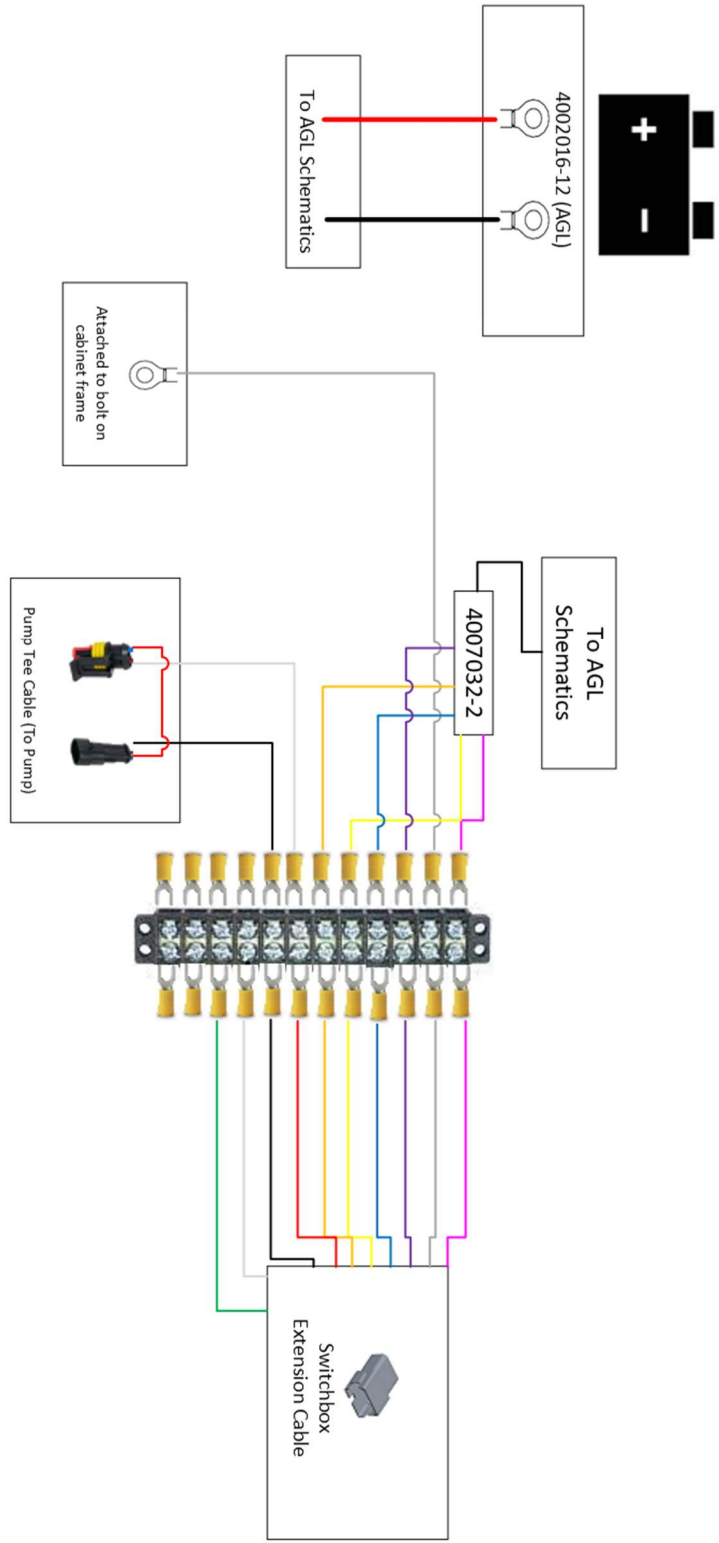
HP500



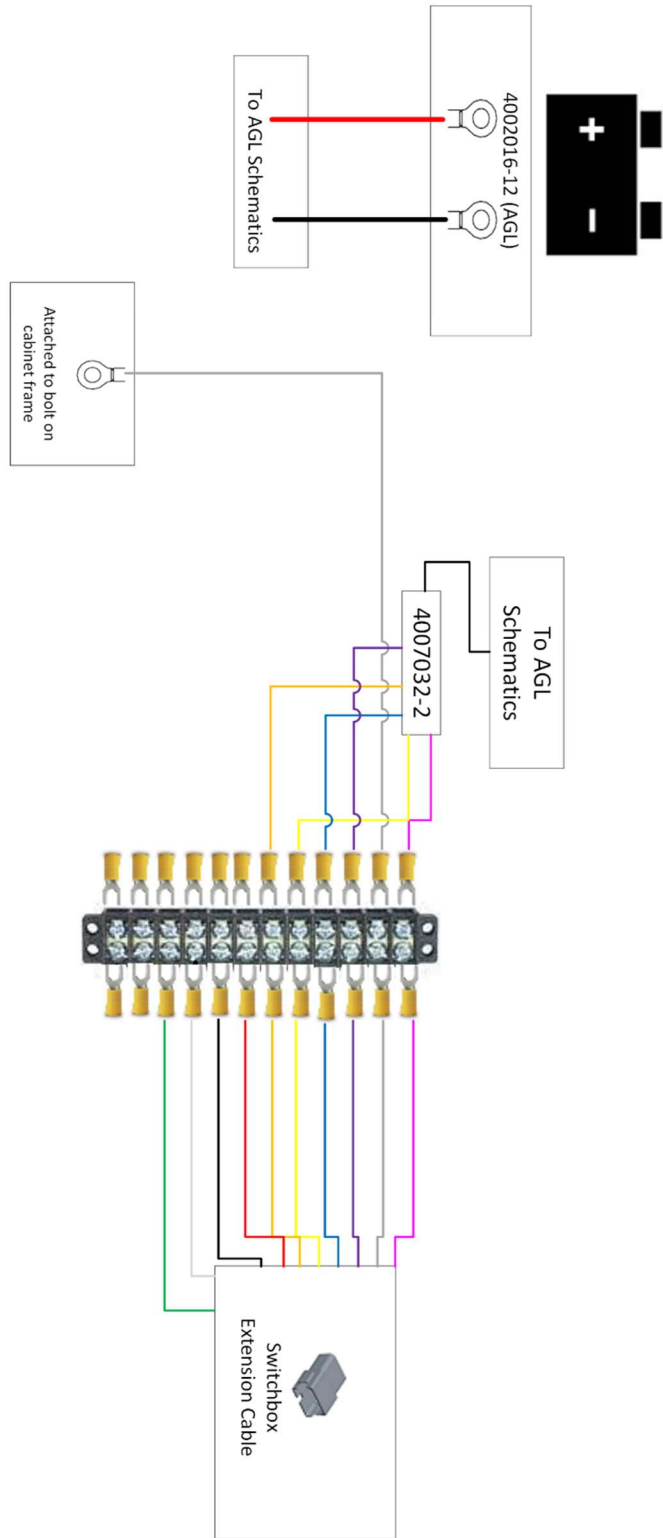


John Deere Power Schematic 7/26/2023

Toro 5800 Aftermarket



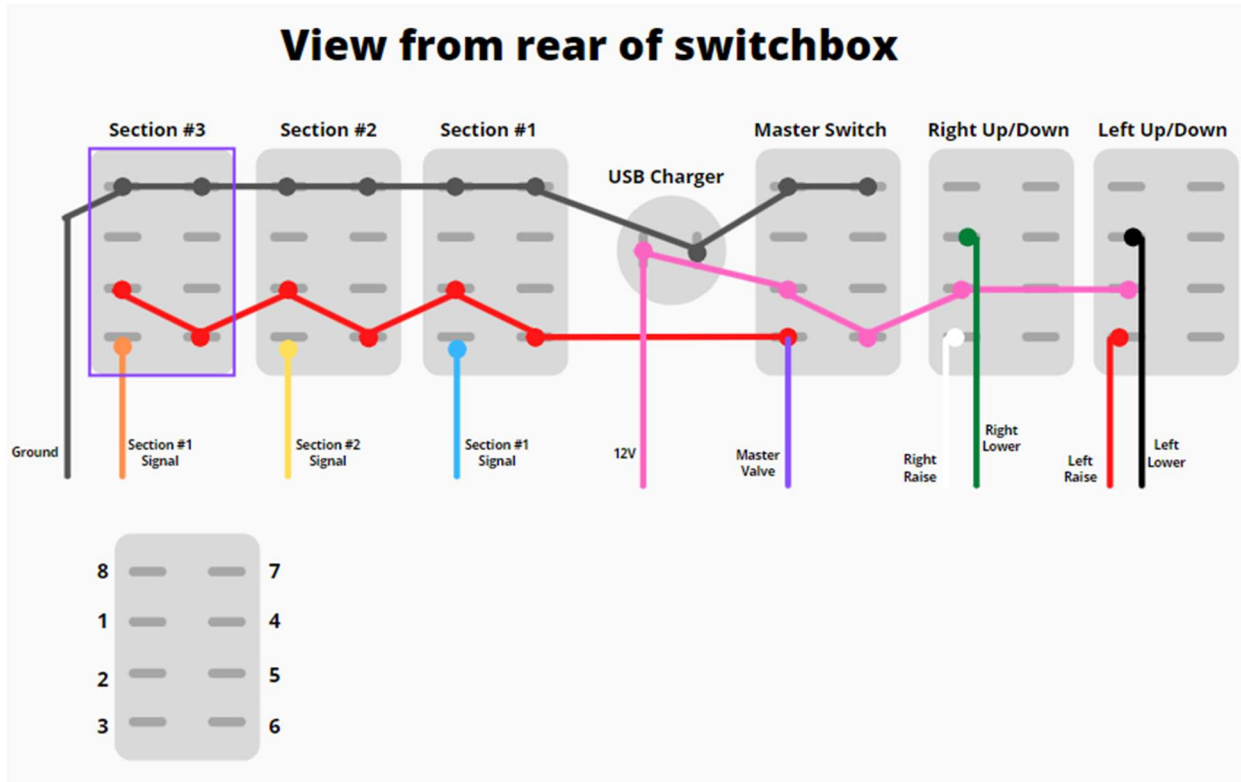
Toro 5800 Power Schematic 7/26/2023



Smithco 3180 Power Schematic 7/26/2023

System Schematics

Switchbox Schematic



12 Pin Male DT Pinout:

Pin #	Color	Function
1	Pink	Switchbox Power
2	Grey	Switchbox Ground
3	Purple	Master Valve Signal
4	Blue	Section 1 Signal
5	Yellow	Section 2 Signal
6	Orange	Section 3 Signal
7	Green	Right Boom
8	White	Right Boom
9	Black	Left Boom
10	Red	Left Boom

Switchbox Extension Cable

There have been 2 different manufacturers of switchbox extension cable. Both pinouts are listed below.

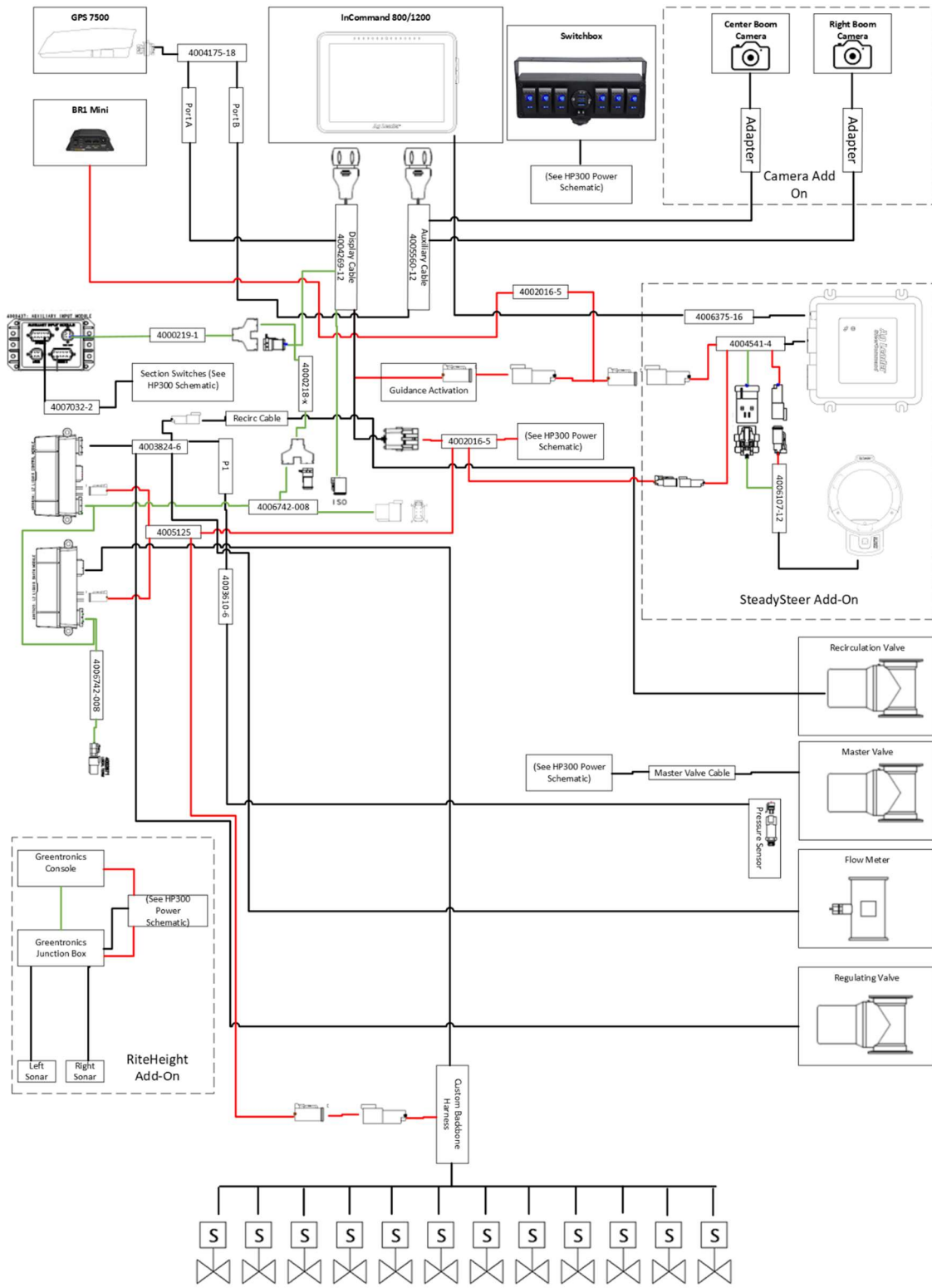
Pin #	Color	Function
1	Pink	Switchbox Power
2	Grey	Switchbox Ground
3	Purple	Master Valve Signal
4	Blue	Section 1 Signal
5	Yellow	Section 2 Signal
6	Orange	Section 3 Signal

7	Green	Right Boom
8	White	Right Boom
9	Black	Left Boom
10	Red	Left Boom

Pin #	Color	Function
1	Red	Switchbox Power
2	Black	Switchbox Ground
3	Brown	Master Valve Signal
4	Yellow	Section 1 Signal
5	Orange	Section 2 Signal
6	Blue	Section 3 Signal
7	Orange w/ Black	Right Boom
8	Yellow w/ Black	Right Boom
9	Black w/ Red	Left Boom
10	Red w/ Black	Left Boom

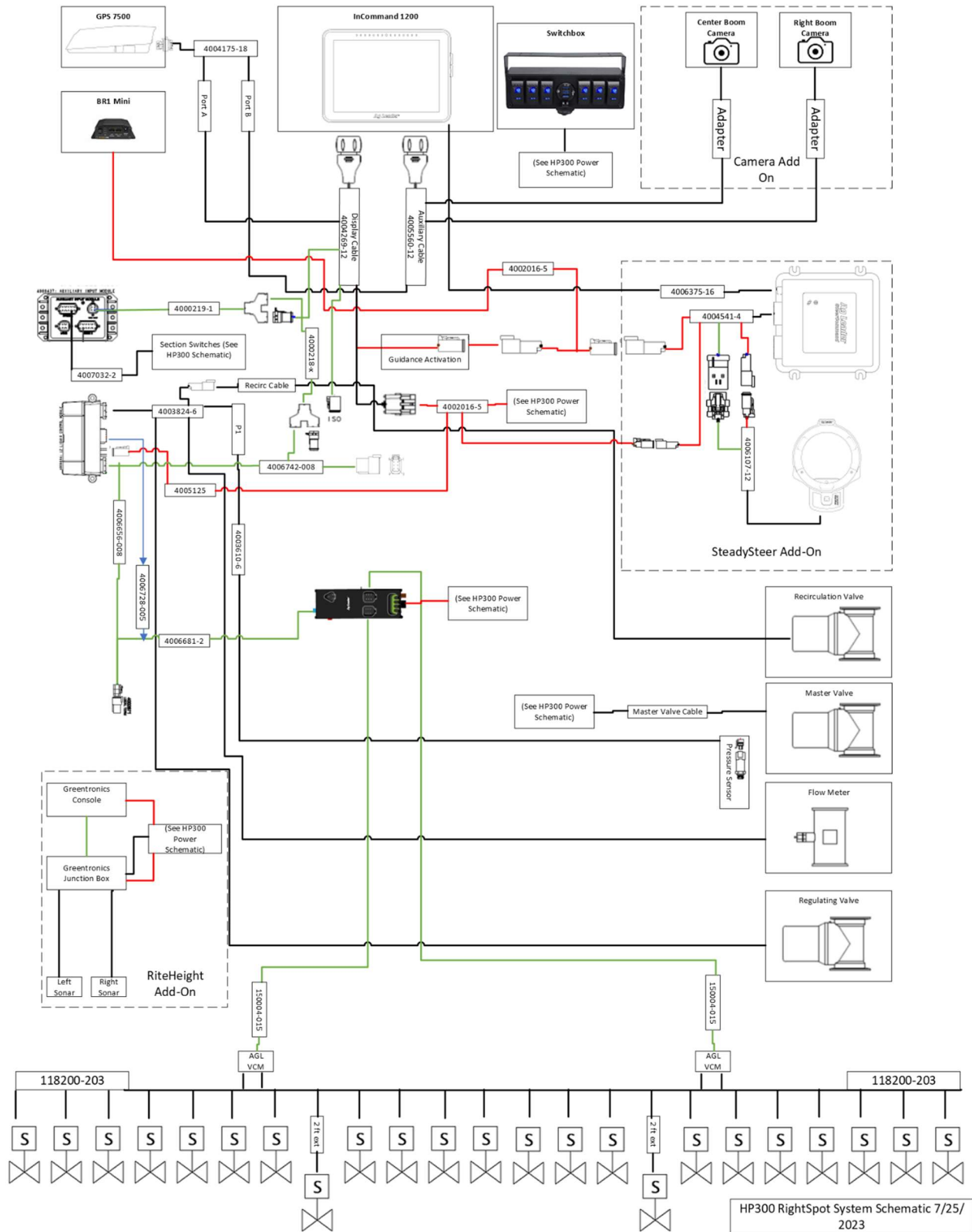


HP300- L2



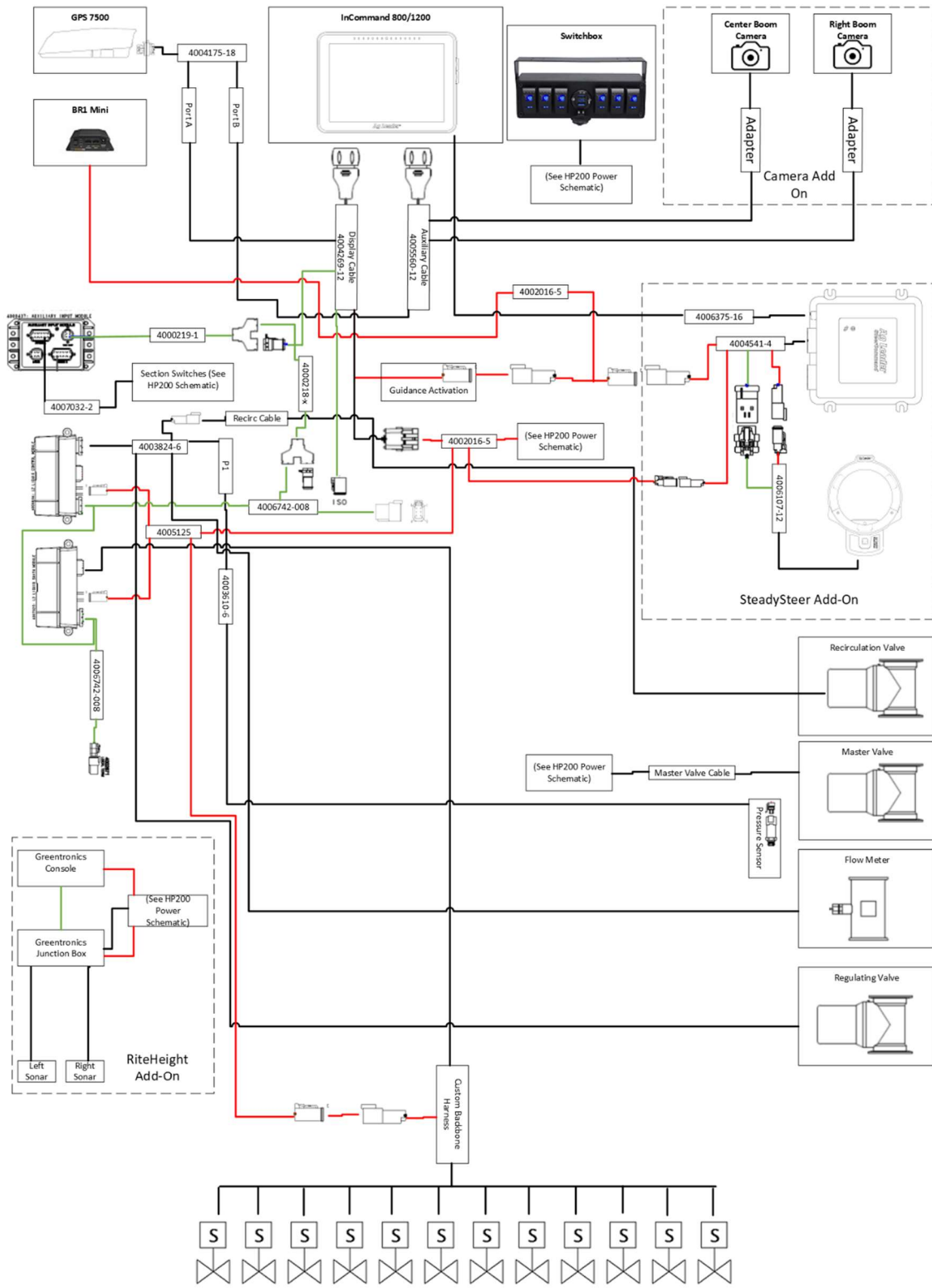
HP300 L2 System Schematic 12/28/2022

HP300 - RightSpot



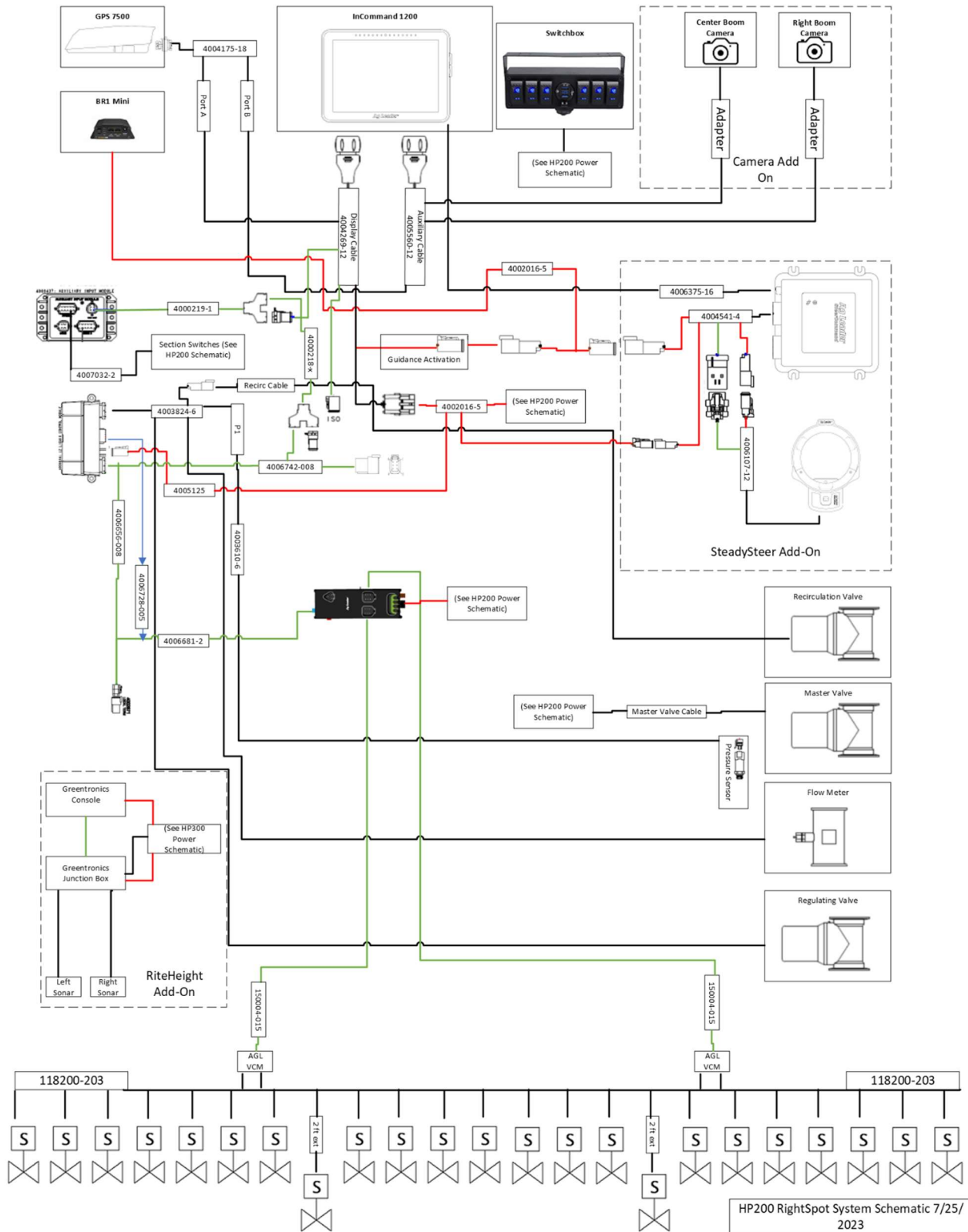
HP300 RightSpot System Schematic 7/25/2023

HP200- L2

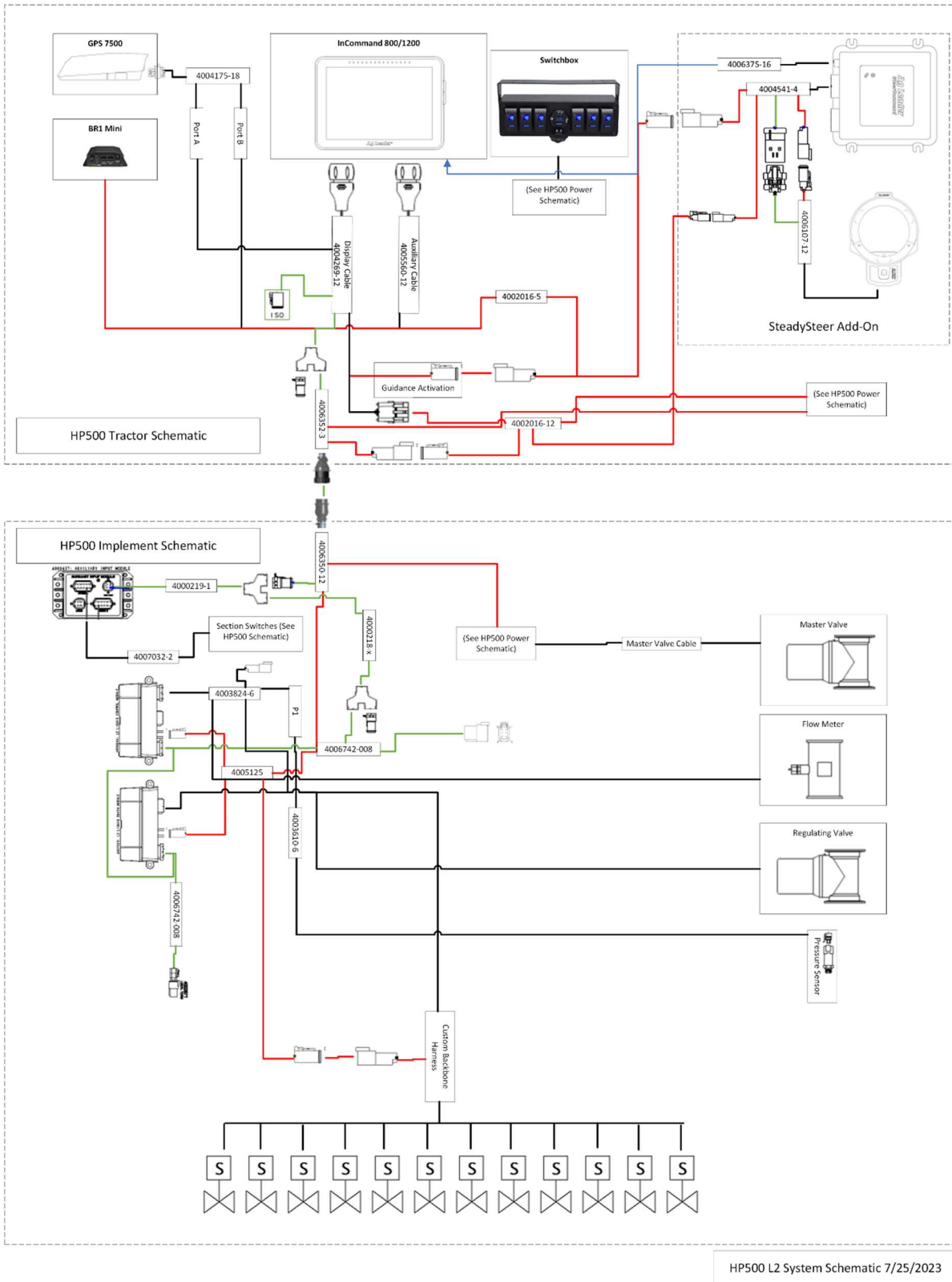


HP200 L2 System Schematic 12/28/2022

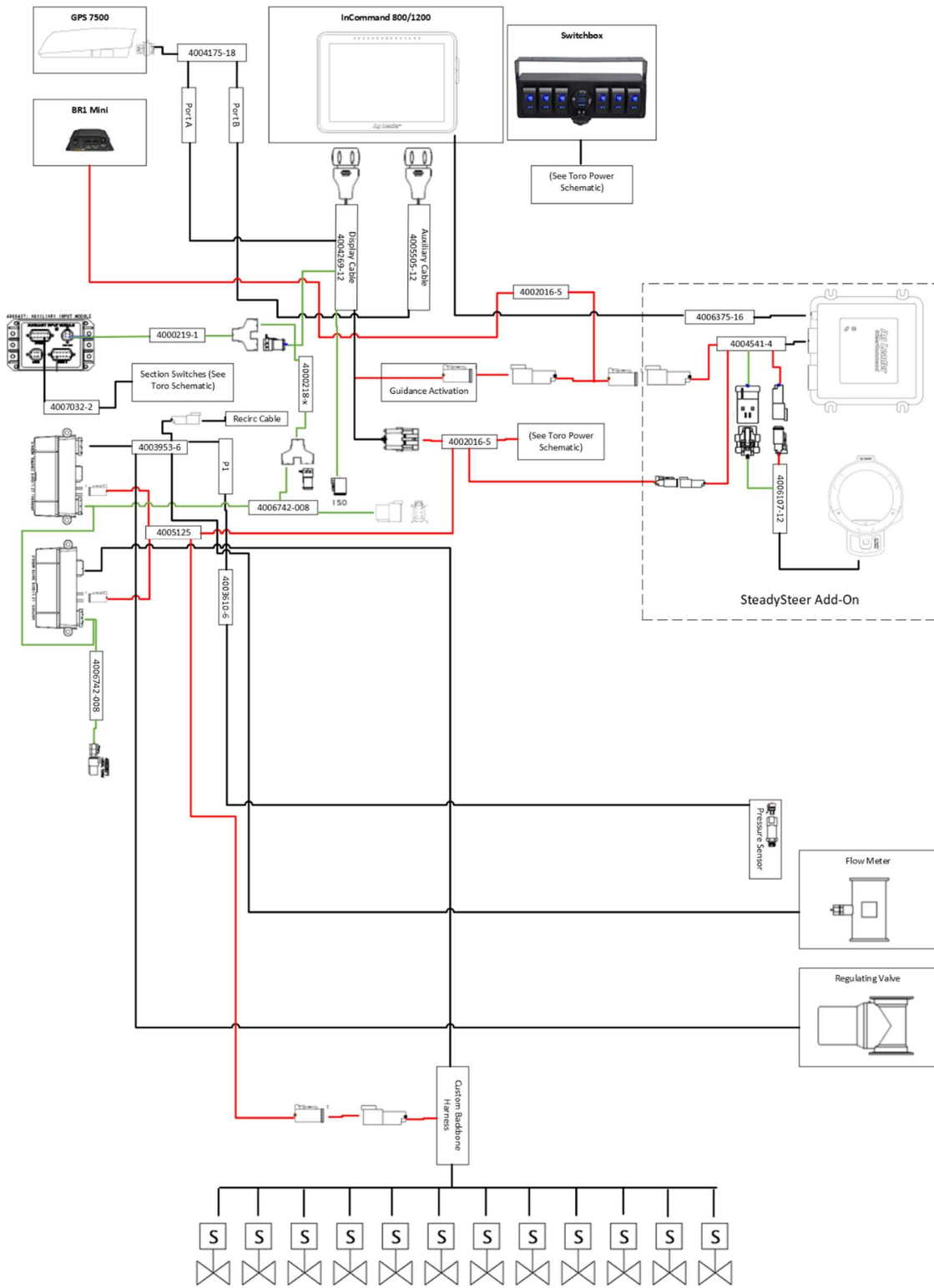
HP200 - RightSpot



HP500

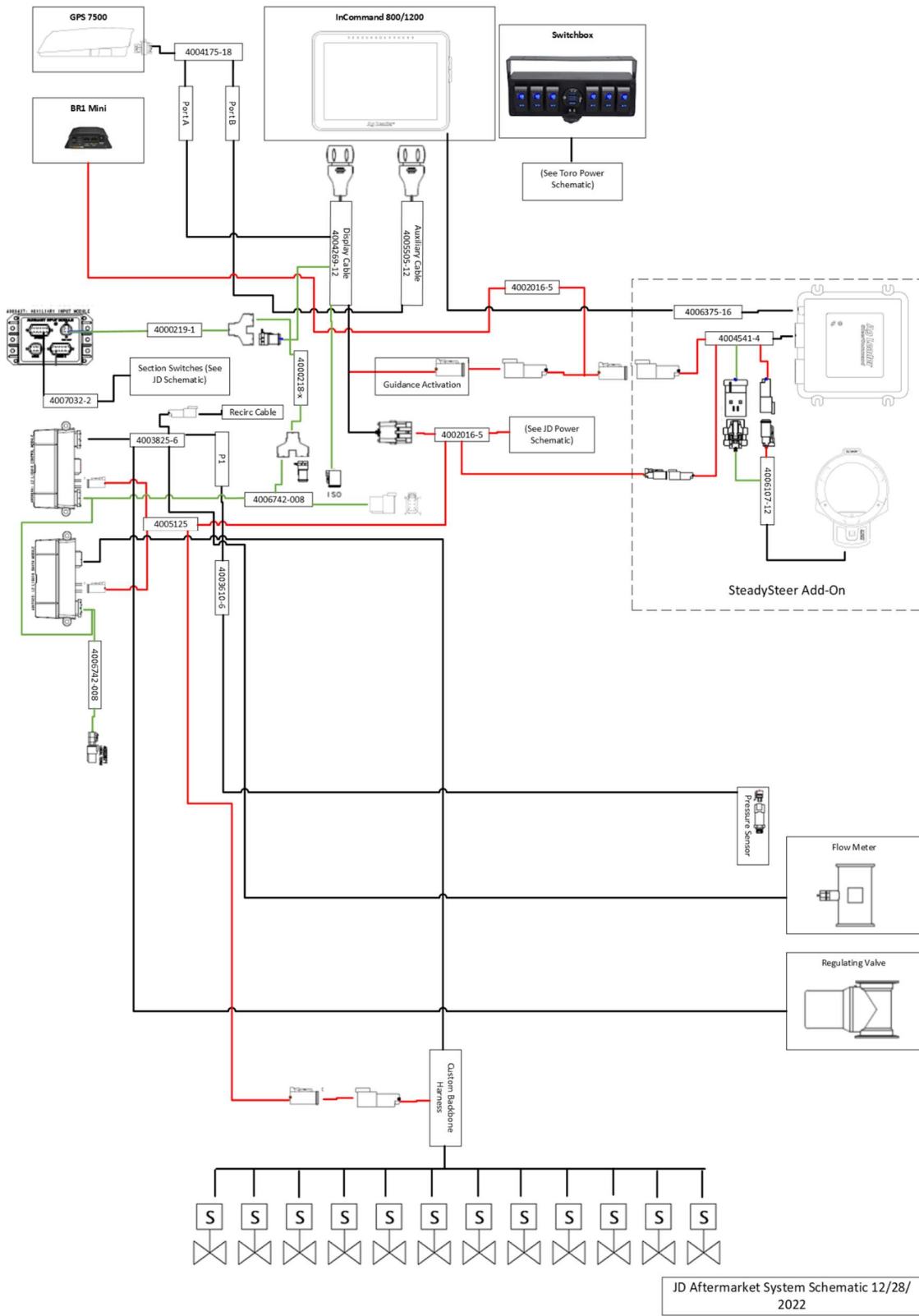


Toro 5800 Aftermarket



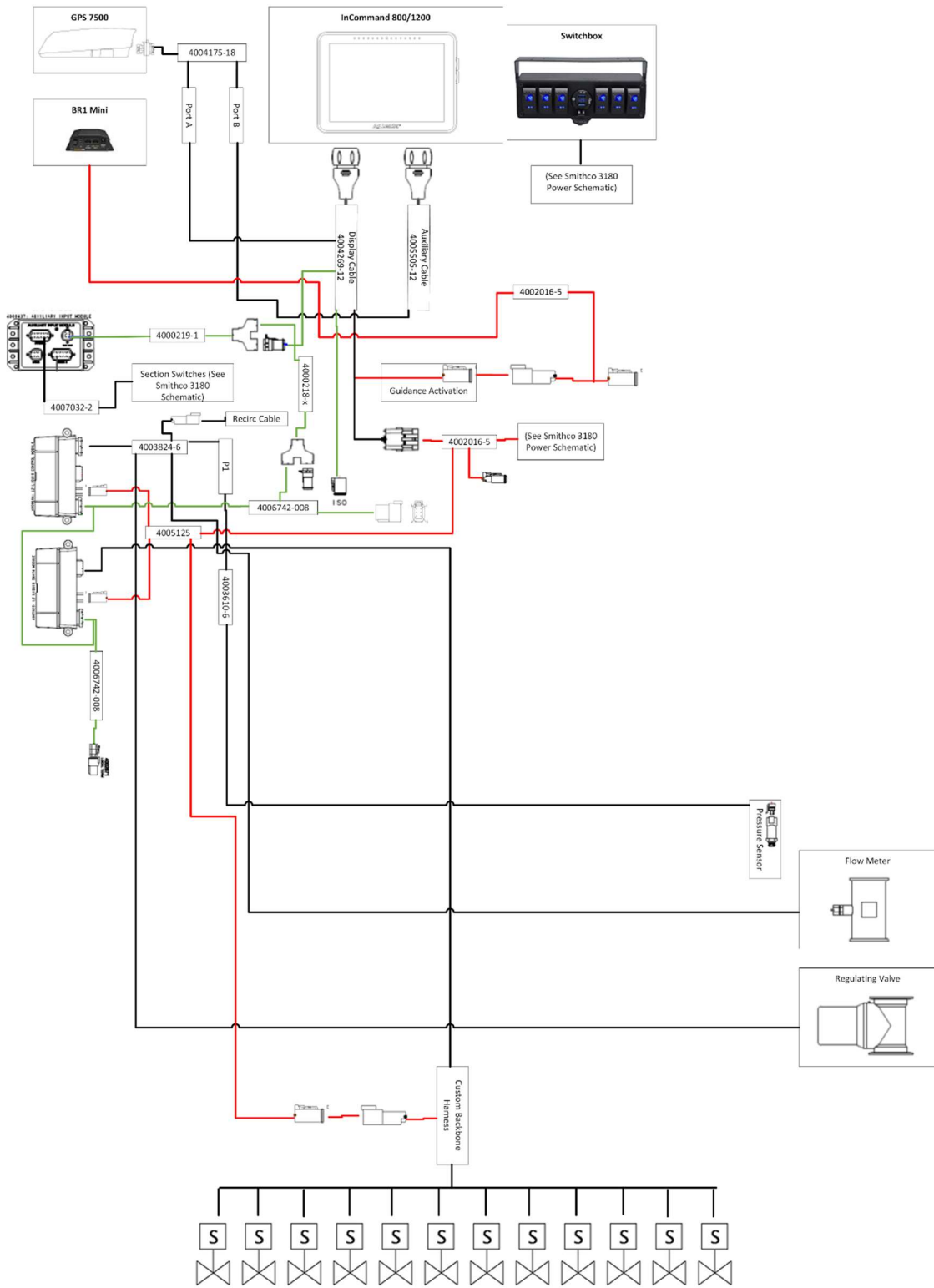
Toro 5800 Aftermarket System Schematic
12/28/2022

John Deere Aftermarket



JD Aftermarket System Schematic 12/28/2022

Smithco Aftermarket



Smithco 3180 Aftermarket System Schematic 7/28/2023

HP300 Parts List

FRAME ASSEMBLY

HP300 Frame	BR-HP300-B	1
HP300 Plastic Frame Rest	AS-1030-HP-A	2
Controller Box Bracket- HP300	BR-1000-HP300-A	1
Locking Pin	BR-1003-HP-A	1
3/8" Square U-Bolts 4"x3"	N222-389	2
Clamp, Loop Strap 304 Stainless, 2 in clamp diameter	2UTG2	2
20 Thread size- Stainless 1/4" Bolt- 3/4" Long	92240A540	5
20 Thread size- Stainless 1/4" Flange Nuts	93776A421	5
18 Thread size- Stainless 5/16" Flange Nuts	93776A441	5
18 Thread size- Stainless 5/16" Bolt- 3/4" Long	92240A581	1
Stainless 5/16" Carriage Bolt, 5" Long		4

TANK ASSEMBLY

HP300 Tank	T-HP300-B	1
16" Hinged Tank Lid and Ring	500046210	1
16" Strainer Basket	501045527	1
Stainless- Sheet Metal Screws #8x1"		6
Clear Silicone		1
Tank Support Bracket	BR-1004-HP300-A	1
18 Thread size- Stainless 5/16" Flange Nuts	93776A441	5
20 Thread size- Stainless 5/16" Bolt- 2 1/2" Long	92198A693	5
Stainless Washer, Oversized, 5/16" 1.25" OD	91525A230	5
5/16" x 1.5" OD Neoprene Rubber Fender Washer		5
ELBOW 3/4" MALE NPT X 1/2" HOSE BARB	HB07505090	2
PLUG 3/4" MALE NPT	PLUG075	1
3/4" Street Elbow- 45 degree	TK912-3/4	1
CAM LOCK (F) 3/4" MALE ADAPTER X 3/4" MALE NPT	075F	1
CAM LOCK (C) 3/4" FEMALE COUPLER X 3/4" HOSE BARB	075C	1
3/4" Vinyl Sight Gauge Hose	VSG34	28
WORM HOSE CLAMP 200SS (.500"-1.25")	K6712-1	8
ELBOW 3/4" MALE NPT X 3/4" HOSE BARB	HB07590	3
Tank Straps (81 inches)	TS-81	2
3/8" J-Bolt Kit	J-BOLT38	2
TEE ADAPTER 3/4" MALE NPT X 3/4" HOSE BARB X 3/4" HOSE BARB	MT3434	2
3/4" EPDM Hose	EPDM34	72
Air Gap Bracket	BR-1002-HP-A	1
CAM LOCK (B) 1" FEMALE COUPLER X 1" MALE NPT	100B	1
STREET ELBOW 1" MALE NPT X 1" FEMALE NPT	SE100	2

COMBINATION NIPPLE 1" MALE NPT X 1" HOSE BARB	HB100	1
ELBOW 2" MALE NPT X 1 1/2" HOSE BARB	HB20015090	1
HP300 Vinyl Logos		1
Sight Gauge Sticker		1

PUMP ASSEMBLY

ACE 150 Series 206 Flanged Centrifugal Pump-Stainless	FMCS-150FS-HYD-206	1
1 1/2" FLANGE X 1 1/2" HOSE BARB	M200150BRB	1
2" FLANGE X 1 1/2" REDUCER FLANGE	M220200CPG	1
2" Flanged Tee	TKM200TEE	2
1 1/2" FLANGE X 1" HOSE BARB	M200100BRB	1
BALL VALVE FULL PORT 2" FLANGE X 2" FLANGE	MV200CF	1
1 1/2" FLANGE GASKET	FG200	6
FLANGE CLAMP 2" 301SS	FC200	6
2" FP FLANGE GASKET	FG220	1
FLANGE CLAMP 2" FULL PORT 302SS	FC220	1
16 Thread Size- Stainless 3/8" Bolts- 3" Long	92198A636	2
16 Thread Size- Stainless 3/8" Nuts	91845A031	2
Stainless 3/8" Lock Washers	92146A029	2
36" Hydraulic Hose (1/2" Female JIC 90 x 3/8" MPT)	8XCP3-6NPM-8JCFX90S-36OAL	2
HNV Quick Coupler 3/8" Male x 3/8" FPT	HNV-06M-06FP	2
1/2" MPT x 1/2" Male JIC	2404-08-08	2
Red Ziptie	0	1
Yellow Ziptie	0	1

PRESSURE MANIFOLD ASSEMBLY- HP300/200

1 1/2" FLANGE X 1 1/2" HOSE BARB	M200150BRB	1
2" Flange Cross	TKM200CR	1
1 1/2" FLANGE X 1" REDUCER FLANGE	M200100CPG	1
1" FLANGE X 1" FLANGE	M100SWP90	1
BALL VALVE FULL PORT 1" FLANGE X 1" FLANGE	MV100CF	1
1" FLANGE X 3/4" HOSE BARB	M100075BRB	1
2" Flange Plug with 1/4" FPT Gauge Port	TKM200PLG025	2
LIQUID FILLED GAUGE 2 1/2" DIA 100 PSI	LG100	1
Flange Tee 2" x 2" x 1"	TKM200100TEE	1
3RPM 6SEC RL REG	344BRL-2F-03C	1
1" FLANGE X 1" HOSE BARB	M100BRB	2
LINE STRAINER 'T' 2" FLANGE- 50 MESH SS SCREEN	MLST15050	1
LINE STRAINER 'T' 2" FLANGE- 80 MESH SS SCREEN	MLST15080	1
450 MANIFOLD	451BEC-2F-C	1
STREET ELBOW 1/4" MALE NPT X 1/4" FEMALE NPT	SE14	1
801 FLOW METER F50	801	1
1" FLANGE GASKET	FG100	7
FLANGE CLAMP 1" 300SS	FC100	7

1 1/2" FLANGE GASKET	FG200	8
FLANGE CLAMP 2" 301SS	FC200	8
3-pin DT Receptacle	DT04-3P	1
3-pin DT Receptacle Wedgeloek	W3P	1
2-pin DT Receptacle	DT04-2P	1
2-pin DT Receptacle Wedgeloek	W2P	1
DT Solid Pin (20-16 AWG)	0460-202-16141	5
1 1/2" EPDM Hose	EPDM112	25
WORM HOSE CLAMP 200SS (1.25"-2.25")	K6728-1	2
1" EPDM Hose	EPDM100	37
WORM HOSE CLAMP 200SS (.750"-1.75")	K6720-1	6
ELBOW 1" HOSE BARB X 1" HOSE BARB	EB1010	1

DRY BOOM ASSEMBLY- NO RECIRC

373 DRY BOOM 3 OUTLET 3/4" VITON	QJ373-750-2-NYB	6
373 DRY BOOM 3 OUTLET 3/4" VITON	QJ373-750-1-NYB	5
363C 3 OUTLET	QJ363C-750-1-NYB	1
3/4" EPDM Hose	EPDM34	247
WORM HOSE CLAMP 200SS (.500"-1.25")	K6712-1	36
INSERT TEE 3/4" HOSE BARB	T34	4
1" FLANGE X 3/4" HOSE BARB	M100075BRB	2
1" FLANGE X 1" HOSE BARB	M100BRB	1
1" FLANGED TEE	M100TEE	1
1" FLANGE GASKET	FG100	3
FLANGE CLAMP 1" 300SS	FC100	3
18 Thread size- Stainless 5/16" Flange Nuts	93776A441	12
18 Thread size- Stainless 5/16" Bolt- 1/2" Long	92240A578	12
20 Thread size- Stainless 1/4" Flange Nuts	93776A421	8
20 Thread size- Stainless 1/4" Bolt- 1/2" Long	92240A537	8
20 Ft Turf Dry Boom- Black	1BR0062A	1
12VDC Linear Actuator	E425001016	2
Clamp, Loop Strap 304 Stainless, 1 in clamp diameter	2UTF7	6
Clamp, Loop Strap 304 Stainless, 2 in clamp diameter	2UTG2	2
20 Thread size- Stainless 1/4" Bolt- 1/2" Long	92240A537	8
20 Thread size- Stainless 1/4" Flange Nuts	93776A421	8
1/2" Grade 8 Bolts (1" Long)	1	4
1/2" Grade 8 Nuts	1	4
1/2" Grade 8 Lock Washers	1	4
Greenleaf nozzles	SD110-10	13

CONTROLLER BOX ASSEMBLY

Controller Box and Lid- HP Series	BOX-01-HP-A	1
2 1/2" Panel Hole Grommets	0	2
Rubber Latches- T-Handle	0	2

Neoprene Rubber Trim 1/32" Wide x 1/4" High (6 feet)	3HCJ2	6
Circular Above Par Tech Stickers	0	1
20 Thread size- Stainless 1/4" Flange Nuts	93776A421	8
20 Thread size- Stainless 1/4" Bolt- 1/2" Long	92240A537	8
Relay Panel	EL-1021-A	1

CUSTOM ELECTRONICS

1 1/2" Black Expandable Cable Sleeve		12
Master Valve Cable	CA-1010-HP-A	1
Recirculation Cable	CA-1011-HP-A	1
Actuator Cable	CA-1012-HP-A	1
7 ft Fuse Block Power Cable	CA-1015-HP-A	1
Switchbox Extension Cable	CA-1015-A	1
Switchbox	EL-1020-A	1
Switchbox Bracket	BR-1011-A	1
Stainless Pan Head Phillips Screws, M6 x 1mm thread, 10mm Long	90116A305	2
Stainless 1/4" Lock Washers	92146A029	2
12 Valve Backbone Harness	CA-1212-A	1

HP Series Options Parts List

STEADYSTEER KIT- HP300

STEADYSTEER KIT	4200551	1
20 Thread size- Stainless 1/4" Flange Nuts	93776A421	4
20 Thread size- Stainless 1/4" Bolt- 1/2" Long	92240A537	4
STEADYSTEER - TOP RING - CUSTOM RING -01	4005972-01	1
HARDWARE KIT - ANTI-ROTATION, BEARING WITH HARDWARE	4100167	1
Weatherstripping		1
John Deere Steering Wheel	M71094	1
John Deere Steering Wheel Cap with Emblem	AM103066	1
Stainless Steel M5-0.80x10mm, Bolts	23NN81	6
SteadySteer Anti-Rotation Bracket (Type 1)	BR-1034-A-1	1
Stainless 5/16" Flat Washers	90107A030	8

HOSE REEL KIT- HP300

Hanney Hose Reel	E1516-17-18LT	1
Lawn Spray Gun	SS25660-0	1
Spray Gun Tip (6.4GPM @ 20PSI)	SS25670-4.0NY	1
Hose Reel Bracket (Left)- HP300	BR-1006-HP300-A	1
Hose Reel Bracket (Right)- HP300	BR-1007-HP300-A	1
3/8" Square U-Bolts 4"x3"	N222-389	4
Stainless 3/8" Lock Washers	92146A029	4
16 Thread Size- Stainless 3/8" Nuts	91845A031	4
16 Thread Size- Stainless 3/8" Bolts- 1" Long	92240A624	4

1/2" MPT x 3/4" Hose Barb	TKPHB1234	1
1/2" MPT x 5/8" Hose Barb	TW3A1258	1
3/4" EPDM Hose	EPDM34	72
5/8" EPDM Hose	EPDM58	1500
3/4" Hose Clamp	HC34	4
1" Flange x 3/4" Hose Barb	TKM701A	1
1" Flange Tee	TKM100TEE	1
Banjo 1" Flanged Ball Valve	TKMVI00CF	1
100 Series Gasket	TKM100G	2
100 Series Flange Clamps	TKFC100	2
3/4" MPT x 5/8" Hose Barb	TKPHB3458	1
Camlock Coupler Adapter (FPT x Female Coupler) 3/4"	TKP075D	1
Camlock Coupler Adapter (MPTx Male Coupler) 3/4"	TKP075F	1

CAMERA KIT

Stainless U-Bolt- 1/4" x 1-1/8" x 2-1/4"	N222-422	1
20 Thread size- Stainless 1/4" Flange Nuts	93776A421	2
18 Thread size- Stainless 5/16" Flange Nuts	93776A441	2
18 Thread size- Stainless 5/16" Bolt- 3/4" Long	92240A581	2
Stainless 5/16" Flat Washers	90107A030	2
Cameras	CAM	2
Camera Bracket	BR-1001-HP-A	1
AgCam to CabCam Adapter	3773-DMAC-OVC-ND	2
Camera Extension Cable (3Meter)	CAM-EXT	1

L2 CONTROL SYSTEM KIT

MODULE - L2 LIQUID RATE CONTROL	4006644	1
MODULE - L2 LIQUID SWATH CONTROL	4007025	1
AUX MODULE TO GEN II MOUNTING BAR	4004559	1
Stainless 5/16" Carriage Bolt, 5" Long		2
18 Thread size- Stainless 5/16" Flange Nuts	93776A441	2
Auxiliary Input Module Kit - DirectCommand	4100506	1
CABLE - DUAL MODULE CAN A/LOCAL BREAKOUT	4006742-008	1
TERMINATING PLUG - LOCAL CAN	4002870	1
TERMINATING RECEPTACLE - LOCAL CAN	4002871	1
CABLE - 3-WAY HIGH CURRENT POWER SPLITTER (8 IN)	4005125	1
CABLE - CHANNEL [ML2M][DT3F] 6FT	4003824-6	1
CABLE - INCOMMAND DISPLAY, 12FT	4004269-12	1
CABLE - INCOMMAND AUX SERIAL/VIDEO - 2 CAMERAS (12FT)	4005560-12	1
CABLE - POWER - GUIDANCE/HIGH CURRENT (5 FT)	4002016-5	1
KIT - BR1 MINI (HW3) CELLULAR MODEM (4G LTE)	4007298	1
20 Thread size- Stainless 1/4" Flange Nuts	93776A421	2
Ethernet Dust Plugs		3
CABLE - L2 SWITCH INPUTS - 7 SECTION W/ FENCE ROWS (2 FT)	4007032-2	1

1 1/2" Black Expandable Cable Sleeve		12
DISPLAY BUNDLE - INCOMMAND 1200 & GPS 7500	4100278	1
RAM 235U - Base, Double U-Bolt 1.5in Ball	4000281	1
CABLE - AG LEADER PRESSURE SENSOR (3-WIRE MP TOWER) 6FT.	4003610-6	1
PRESSURE SENSOR ASSEMBLY - 3 PIN METRIPACK, 1/4NPT, 250PSI	4003634	1
VALVE ASSEMBLY - STANDARD - TEEJET	116500-250	13
GPS 7500 SBAS TO RTK UNLOCK	4100284-02	1
12 Valve Backbone Harness	CA-1212-A	1

Tank Fill Flowmeter

1" MPT Nipple	TK900-1XCL	1
1" Inline Digital Turbine Meter, 2-35GPM	FRTT10PN	1

RECIRCULATION VALVE ASSEMBLY

450 MANIFOLD	451BEC-2F-C	1
2" Flange Plug with 3/4" FPT Gauge Port	TKM200PLG075	2
3/4" MPT x 1/2" Hose Barb Elbow	TKPEL3412	2
1" Flange x 3/4" Hose Barb Elbow	TKM207A	1
1" FLANGE GASKET	FG100	1
FLANGE CLAMP 1" 300SS	FC100	1
1 1/2" FLANGE GASKET	FG200	2
FLANGE CLAMP 2" 301SS	FC200	2
3-pin DT Receptacle	DT04-3P	1
3-pin DT Receptacle Wedglock	W3P	1
DT Solid Pin (20-16 AWG)	0460-202-16141	3

WET BOOM ASSEMBLY

Aluminum Schedule 40 3/4" Pipe	0	18
Stainless- 1" FPT Tee	CT7TT100	1
Stainless- 1" x 3/4" Reducer	CT7RB10034	2
Stainless- 3/4" FPT Tee	CT7TT34	2
Stainless- 3/4" FPT Elbow	CT7LL34	6
Stainless- 3/4" MPT Nipple x 2"	CT304-3/4x2	2
Stainless- 1" MPT x 1" Hose Barb	TKHB100SS	1
Stainless- 3/4" MPT x 3/4" Hose Barb	TKHB075SS	4
Stainless- 3/4" x 1/2" Reducer	CT7RB3412	2
Stainless- 1/2" MPT x 1/2" Hose Barb	EVRST1	2
TeeJet 373-3 Outlet Bodies- Blank	QJ373-750-NYB	20
Teejet 373-3 Outlet Bodies- 1 way	QJ373-750-1-NYB	2
TeeJet 363-3 Outlet Bodies- Blank	QJ363-750-NYB	1
20 Ft Turf Dry Boom- Black	1BR0062A	1
12VDC Linear Actuator	E425001016	2
18 Thread size- Stainless 5/16" Flange Nuts	93776A441	14
18 Thread size- Stainless 5/16" Bolt- 1/2" Long	92240A578	14

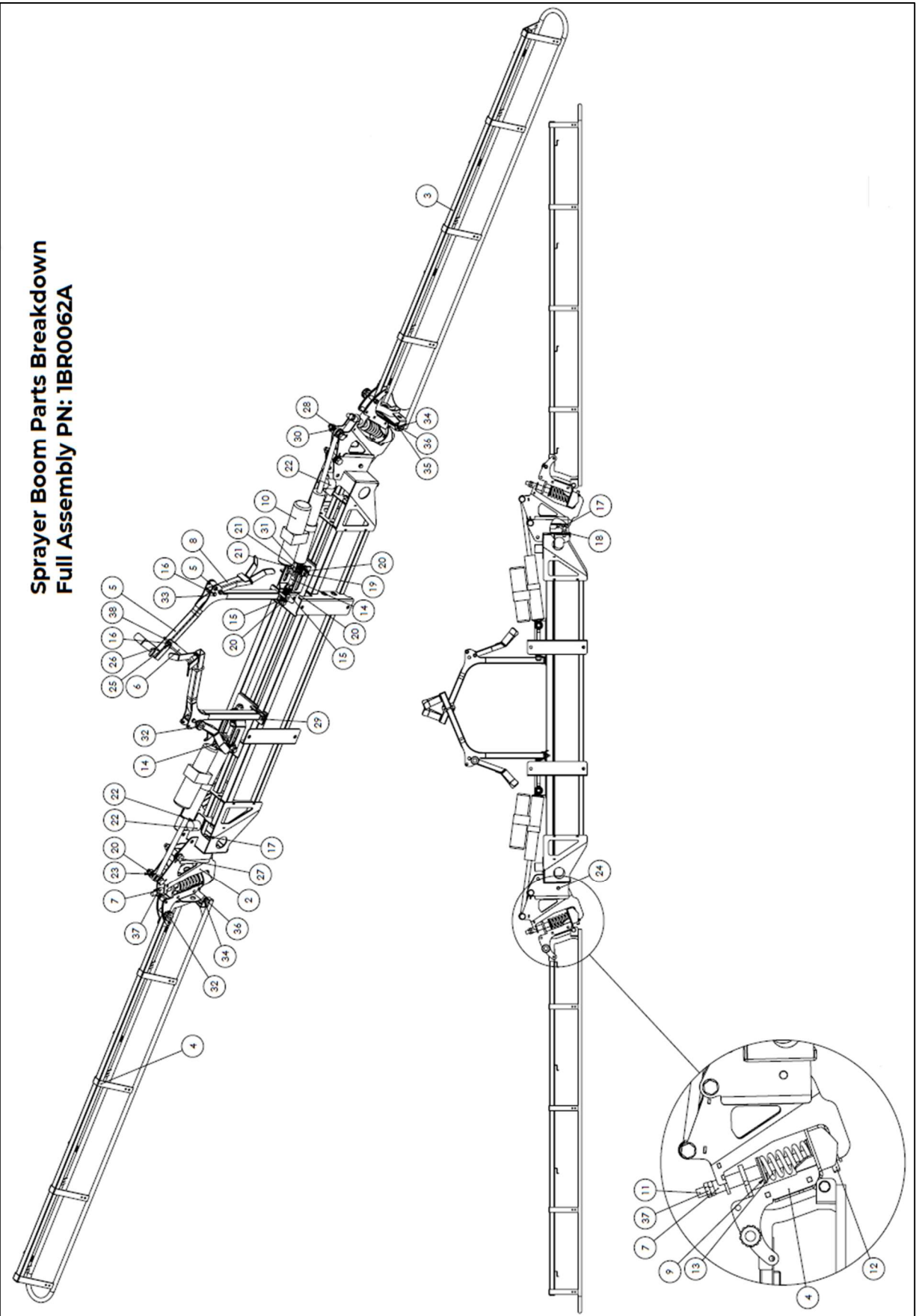
20 Thread size- Stainless 1/4" Flange Nuts	93776A421	8
20 Thread size- Stainless 1/4" Bolt- 1/2" Long	92240A537	8
3/4" MPT x 3/4" Hose Barb	TKPHB3434	2
RightSpot 10" Nozzle Bracket Left	BR-1008-HP300-A	1
RightSpot 10" Nozzle Bracket Right	BR-1009-HP300-A	1
Stainless U-Bolt- 1/4" x 1-1/8" x 2-1/4"	N222-422	4
3/4" EPDM Hose	EPDM34	89
3/4" Hose Clamp	HC34	8
1/2" EPDM Hose	EPDM12	342
1/2" Hose Clamp	HC12	4
Clamp, Loop Strap 304 Stainless, 1 in clamp diameter	2UTF7	6
Clamp, Loop Strap 304 Stainless, 2 in clamp diameter	2UTG2	2
20 Thread size- Stainless 1/4" Bolt- 3/4" Long	92240A540	8
20 Thread size- Stainless 1/4" Flange Nuts	93776A421	8
1/2" Grade 8 Bolts (1" Long)	1	4
1/2" Grade 8 Nuts	1	4
1/2" Grade 8 Lock Washers	1	4
Wilger Nozzles- MR80-08	40290-08	24
Adapter- TeeJet to Wilger	40204-00	24

RIGHTSPOT CONTROL SYSTEM KIT

MODULE - L2 LIQUID RATE CONTROL	4006644	1
AUX MODULE TO GEN II MOUNTING BAR	4004559	1
18 Thread size- Stainless 5/16" Bolt- 2 1/2" Long	92198A693	2
18 Thread size- Stainless 5/16" Flange Nuts	93776A441	2
Auxiliary Input Module Kit - DirectCommand	4100506	1
CABLE - GEN2 CAN A/LOCAL BREAKOUT (8 IN)	4006656-008	1
TERMINATING PLUG - LOCAL CAN	4002870	1
TERMINATING RECEPTACLE - LOCAL CAN	4002871	1
CABLE - CHANNEL [ML2M][DT3F] 6FT	4003824-6	1
CABLE - INCOMMAND DISPLAY, 12FT	4004269-12	1
CABLE - INCOMMAND AUX SERIAL/VIDEO - 2 CAMERAS (12FT)	4005560-12	1
CABLE - POWER - GUIDANCE/HIGH CURRENT (5 FT)	4002016-5	1
MODULE KIT - RIGHTSPOT HUB	4200606	1
CABLE - HIGH CURRENT POWER - RIGHTSPOT HUB (5 FT)	4006655-5	1
BRACKET - RIGHTSPOT MODULE - OFFSET FLAT	4007027	1
CABLE - RIGHTSPOT HUB SYNC (5 IN)	4006728-005	1
CABLE - RIGHTSPOT HUB - CAN INTERFACE (2 FT)	4006681-2	1
CABLE - RIGHTSPOT CAN EXTENSION (15 FT)	150004-015	1
CABLE - RIGHTSPOT CAN EXTENSION (10 FT)	150004-010	1
MODULE KIT - RIGHTSPOT VALVE CONTROL	4200607	2
TERMINATOR - RIGHTSPOT CAN	150003-005	2
HARNESS - RIGHTSPOT 6 DROPS (10 IN SPACING)	118200-203	4
KIT - BRI MINI (HW3) CELLULAR MODEM (4G LTE)	4007298	1

20 Thread size- Stainless 1/4" Flange Nuts	93776A421	4
20 Thread size- Stainless 1/4" Bolt- 1/2" Long	92240A537	2
Ethernet Dust Plugs		3
CABLE - L2 SWITCH INPUTS - 7 SECTION W/ FENCE ROWS (2 FT)	4007032-2	1
1 1/2" Black Expandable Cable Sleeve		12
RightSpot- Valve Extension Cable- 2ft	CA-1016-HP-A	2
DISPLAY BUNDLE - INCOMMAND 1200 & GPS 7500	4100278	1
RAM 235U - Base, Double U-Bolt 1.5in Ball	4000281	1
CABLE - AG LEADER PRESSURE SENSOR (3-WIRE MP TOWER) 6FT.	4003610-6	1
PRESSURE SENSOR ASSEMBLY - 3 PIN METRIPACK, 1/4NPT, 250PSI	4003634	1
VALVE ASSEMBLY - STANDARD - TEEJET	116500-250	24
GPS 7500 SBAS TO RTK UNLOCK	4100284-02	1

Boom Parts List



Position	Quantity	Part Number	Description
1	1	2BR1323C	Base Golf 6 m
2	2	2BR1307C	Joint 6m Golf
3	1	2BR1360A	Right Boom Golf 6m
4	1	2BR1324C	Left Boom Golf 6m
5	2	2BR1333B	Fixed Support
6	1	2BR1384	Central Connection
7	2	2BR1361	Log Tube
8	2	2BR1373	Mobile Support
9	4	2BR0031A	Support Spring Washer Di.16xDe.50
10	2	PST0345	Hydraulic Piston D.50 Stroke 250
11	2	2BR0723	Screw M16x240 galvanized UNI 5737 thread length 135 mm
12	2	SPI0010	Spring Pin D.12x100 (Heavy Series) UNI 6873 DIN 1481 ISO 8752
13	2	MOL0032A	Compression Spring De=50 8 L= 120 p.so 19,5
14	2	2BR1295B	Mobile Registry (not included)
15	40	MOL0003	Belleville Spring 31.5x16.3x1.75 Lo=2.45
16	20	RON0010	Washer Dn 8 galvanized UNI 6592-R 40
17	2	VIT0050	Screw M14x 50 galvanized UNI 5739
18	2	DAD0005	Nut M14 hex self-locking galvanized DIN 982-UNI 7473 CL.8
19	2	VIT0035	Screw M16x110 galvanized UNI 5737
20	10	DAD0007	Nut M16 self-locking galvanized
21	8	2BR0862	Poly washer D.40xd.16,5x6
22	2	SIB0013	Cylindrical foot d.40x40 M10
23	12	RON0003	Washer Dn 16 galvanized UNI 6592-R 40
24	2	VIT0063	Screw M8x 80 galvanized UNI 5737
25	12	DAD0014	Nut M8 self-locking galvanized
26	2	SIB0005	Cylindrical foot d.20x20 M6
27	2	VIT0033	Screw M16x90 galvanized UNI 5737
28	2	VIT0008	Screw M16x 80 galvanized UNI 5737
29	4	VIT0042	Screw M 8x 25 galvanized UNI 5737
30	4	2BR1336	Spacer
31	4	2BR1150	Poly Washer D.40xd.16,5x2,5
32	4	3CM0347	Grooved knob with threaded pin D.40 M10x50
33	2	VIT0037	Screw M8x 55 galvanized UNI 5737
34	8	RON0001	Washer Dn 10 galvanized UNI 6592-R 40
35	4	DAD0001	Nut M10 self-locking galvanized
36	4	VIT0054	Screw M10x 30 galvanized UNI 5737
37	2	DAD0040	Nut M16 low profile galvanized UNI5589
38	2	CAV0005	U-Bolt 30x30 M8